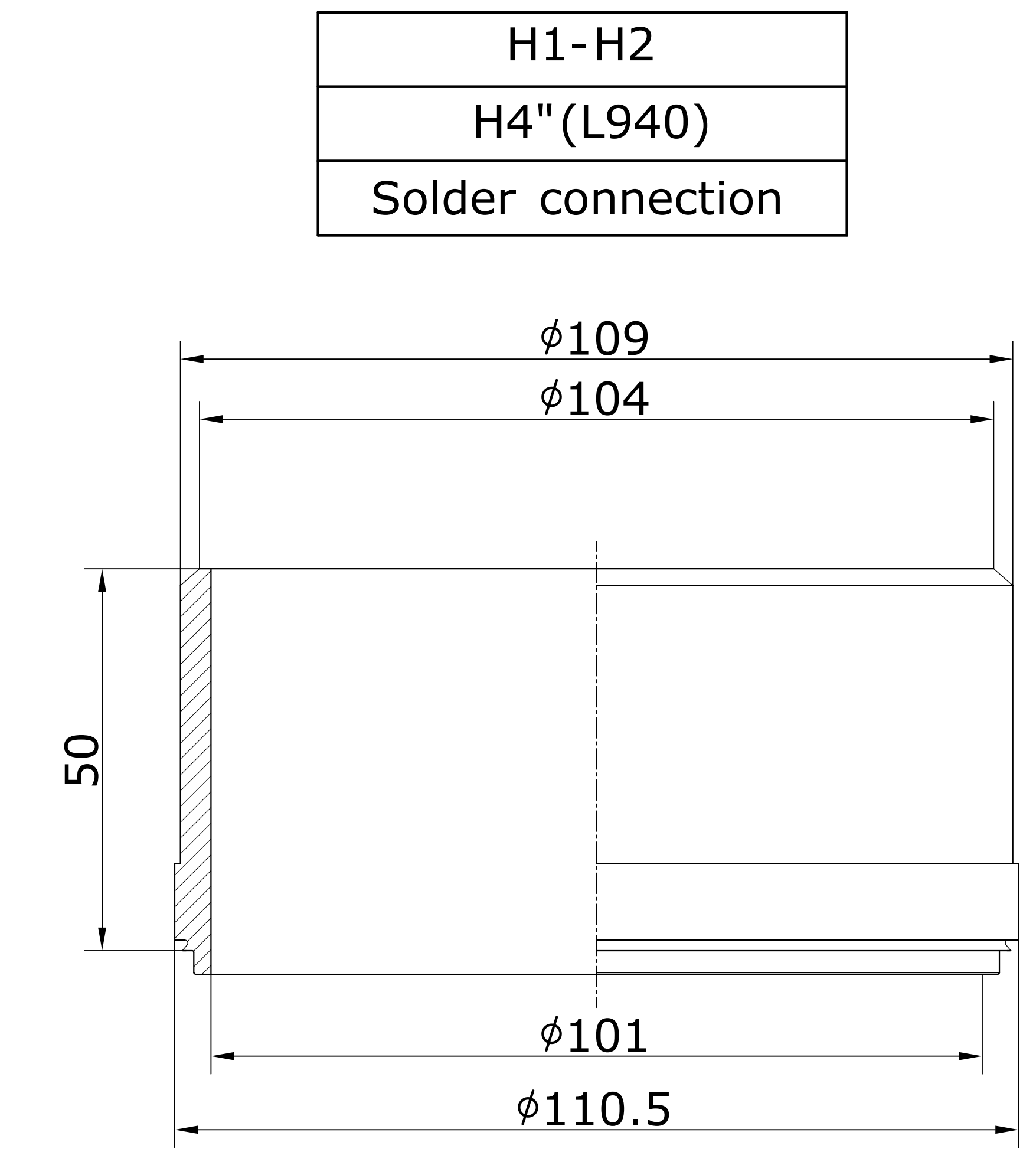
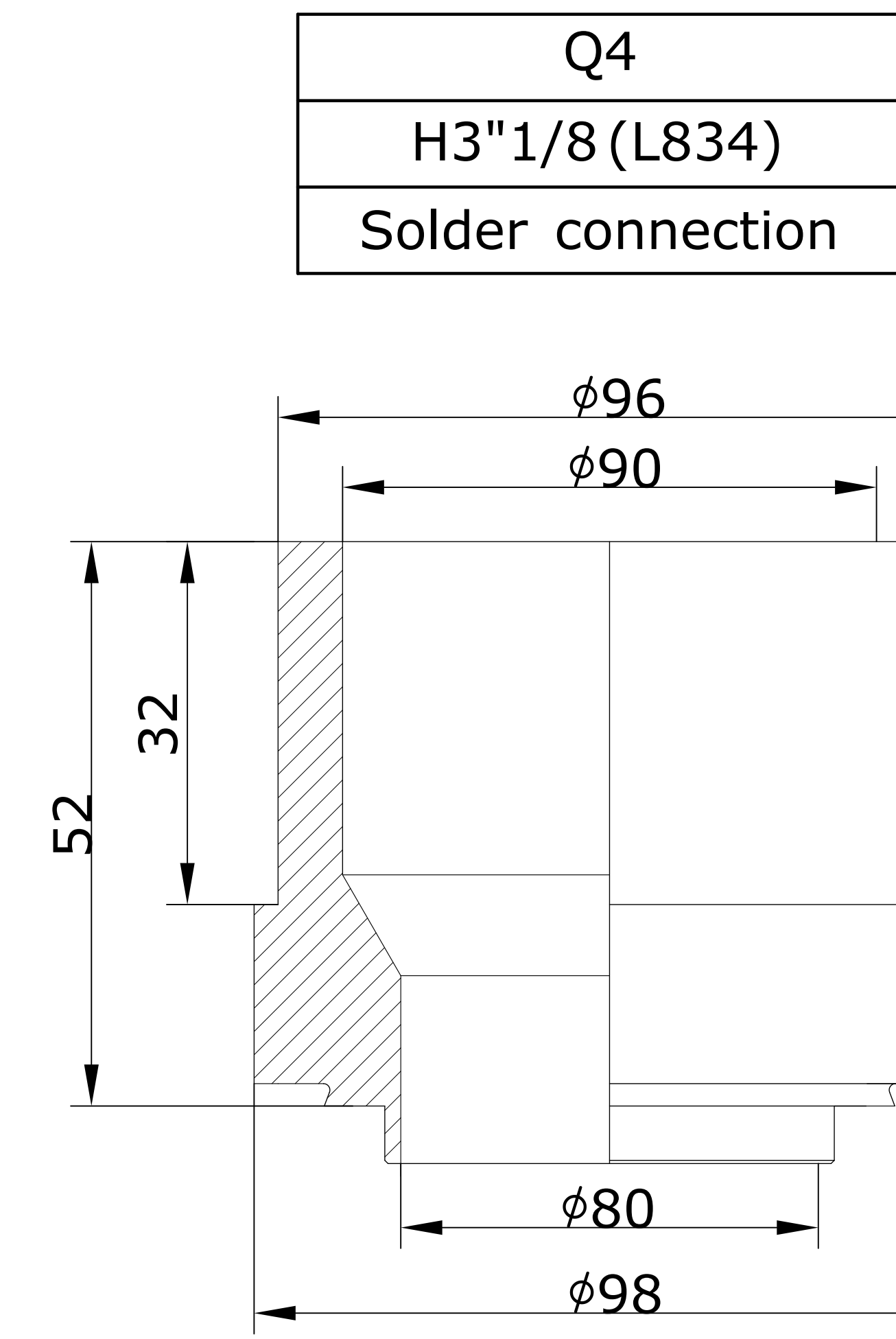
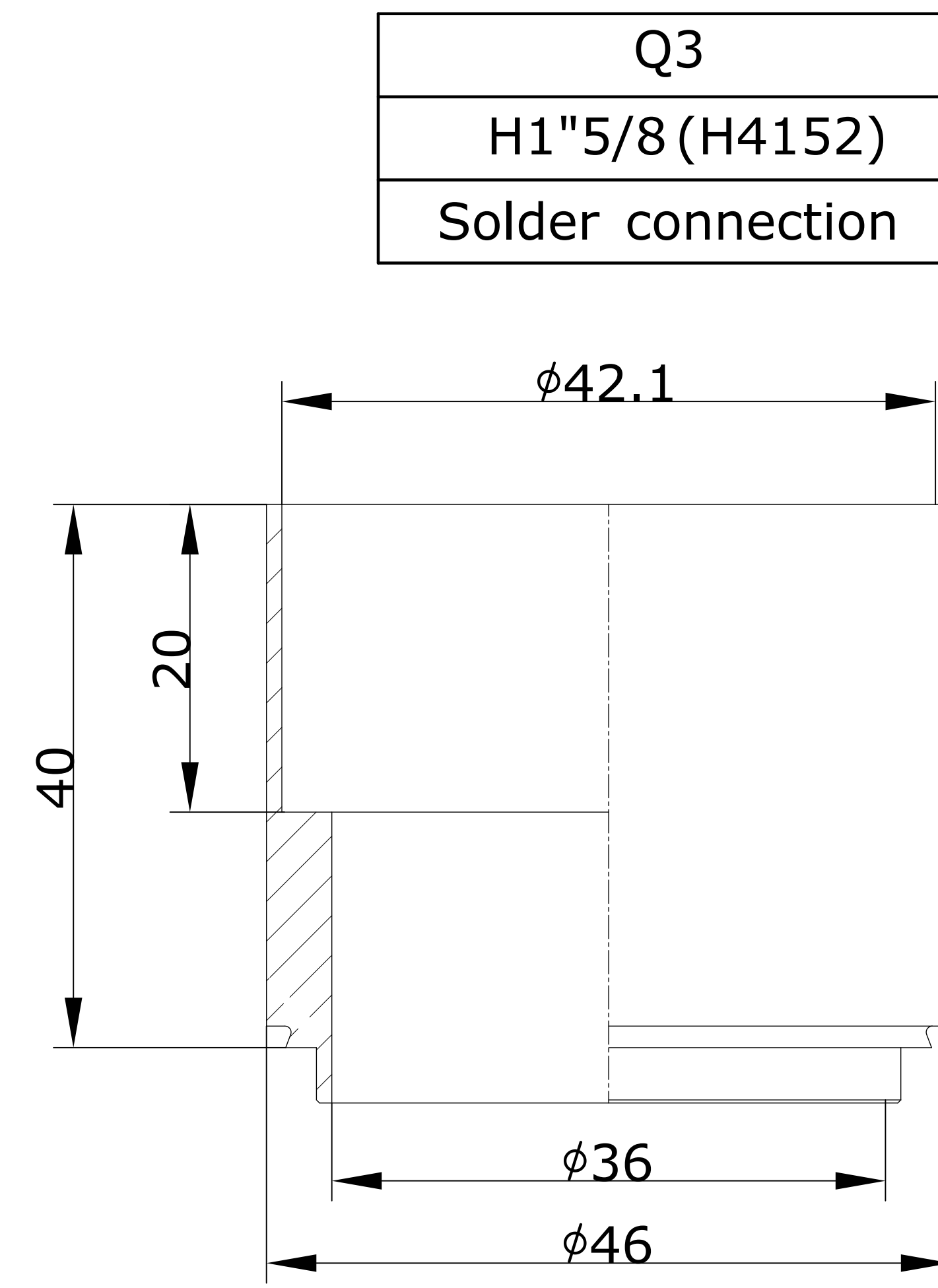
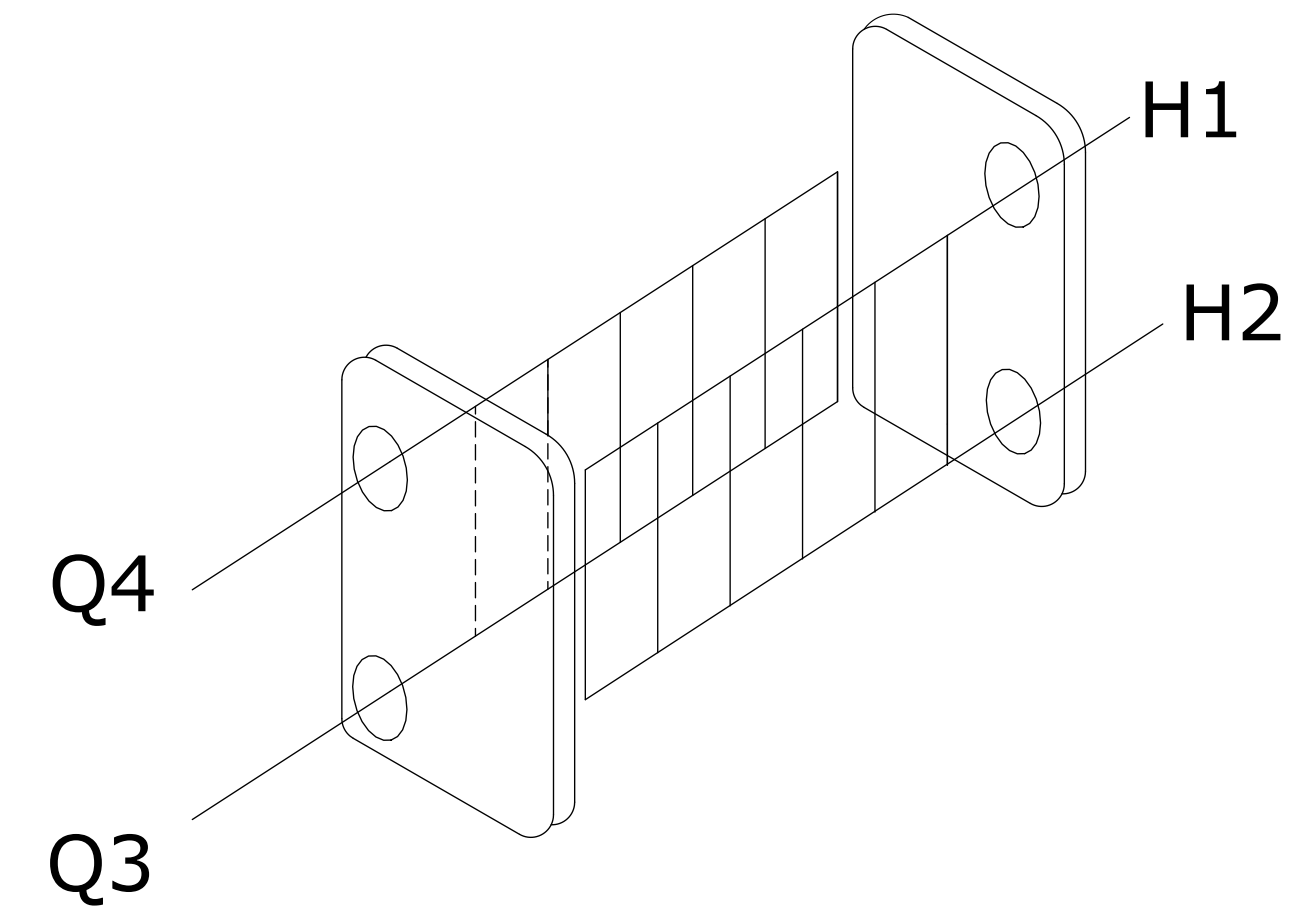
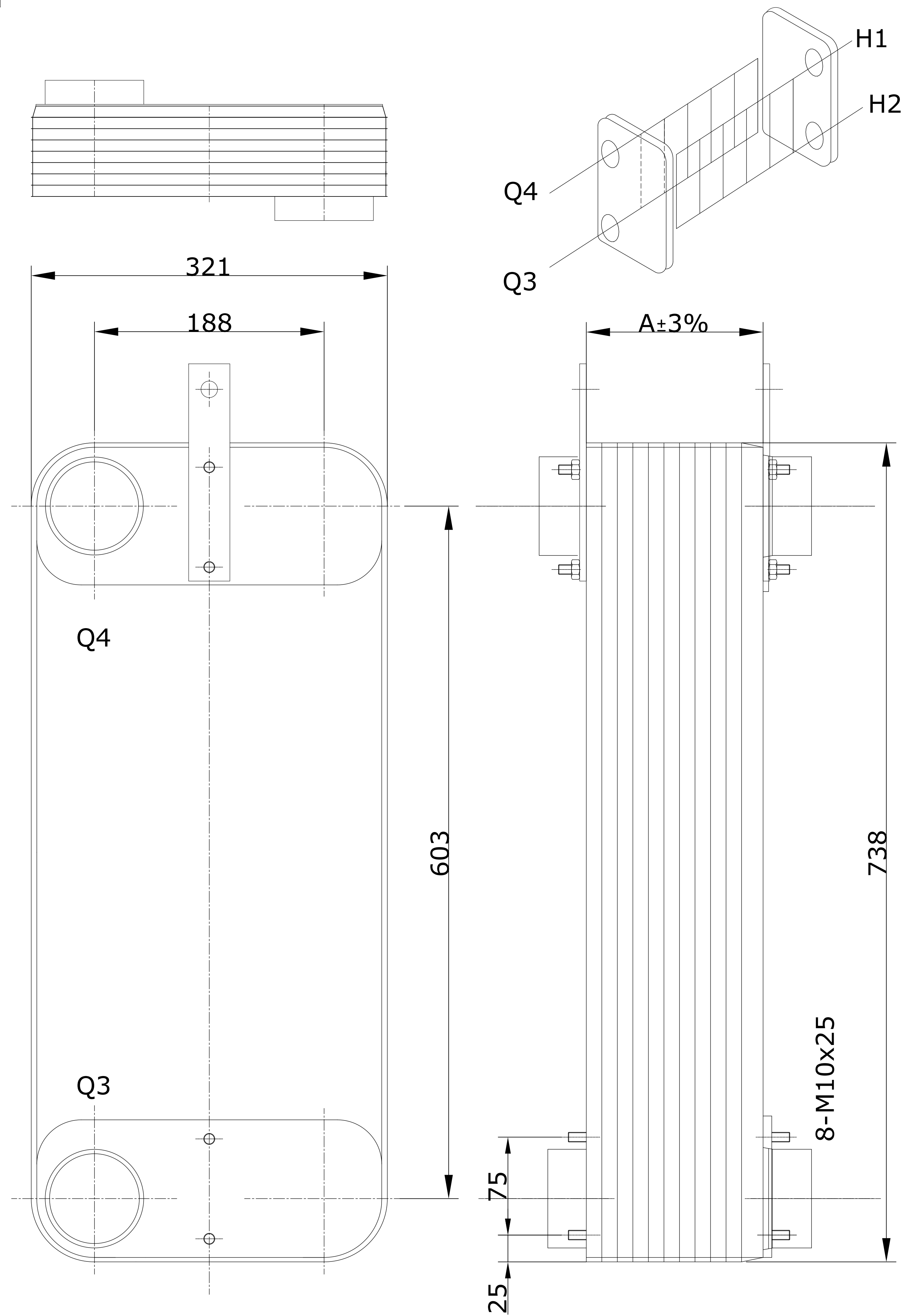



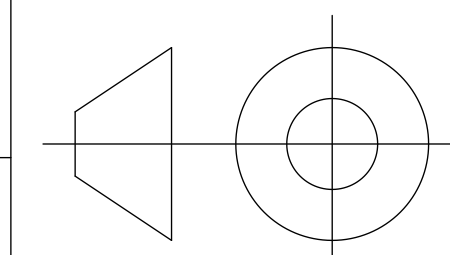
CONTROLLED



Note: Weld 8-M10X25 bolts, With lifting lug

DESIGN DATA	
DESIGN PRESSURE	3.0MPa
TEST PRESSURE	4.5MPa
DESIGN TEMPERATURE	-196/+225
LEAKAGE TEST	Helium Test
WEIGHT	224Kg
VOLUME	H1H2: 81L
	Q3Q4: 80.46L
PLATE MATERIAL	316L
PIPE MATERIAL	304
FRAME MATERIAL	304

ID	RIDAN Code	Drawing No.	Model	Plates(n)	A
1	111B0236R	23012969	200	300	854

Assembly drawing	DEPARTMENT	Sales Department	DATE	SCALE	 RD-200-300-3,0-H - Q3(H1"5/8)Q4(H3"1/8)/ H1H2(H4"")/8- M10x25
	DESIGNER	JLN	2023/05/31		
	INSPECTOR	ZJF			
	APPROVAL	FL			
DRAWING NO. 23012969			REV. 0		